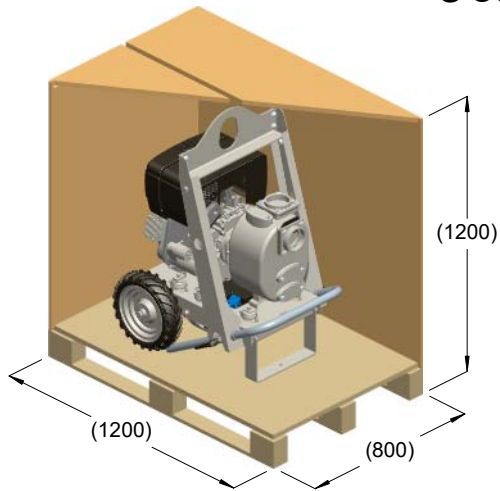
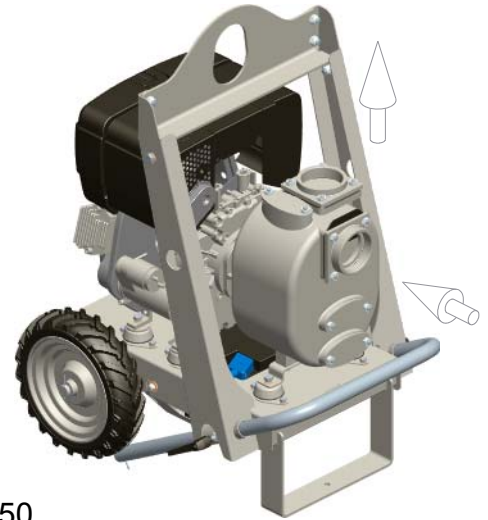


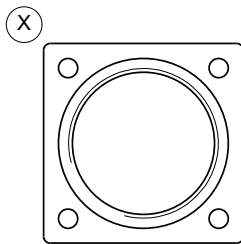
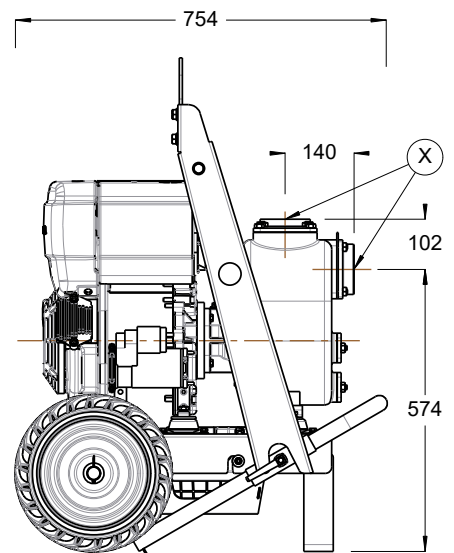
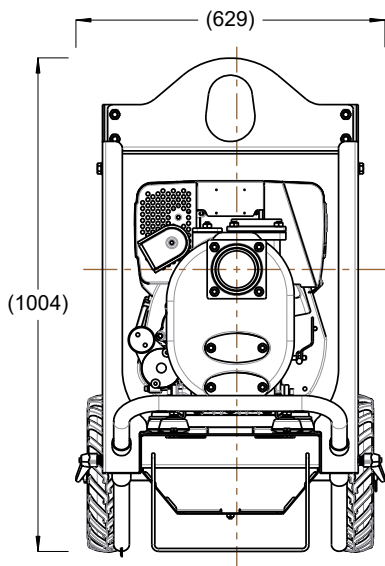
S 80 ...RZE+TEB



kg = 180  
m<sup>3</sup> = 1.15



kg = 150  
l = 5



R3" BSP

